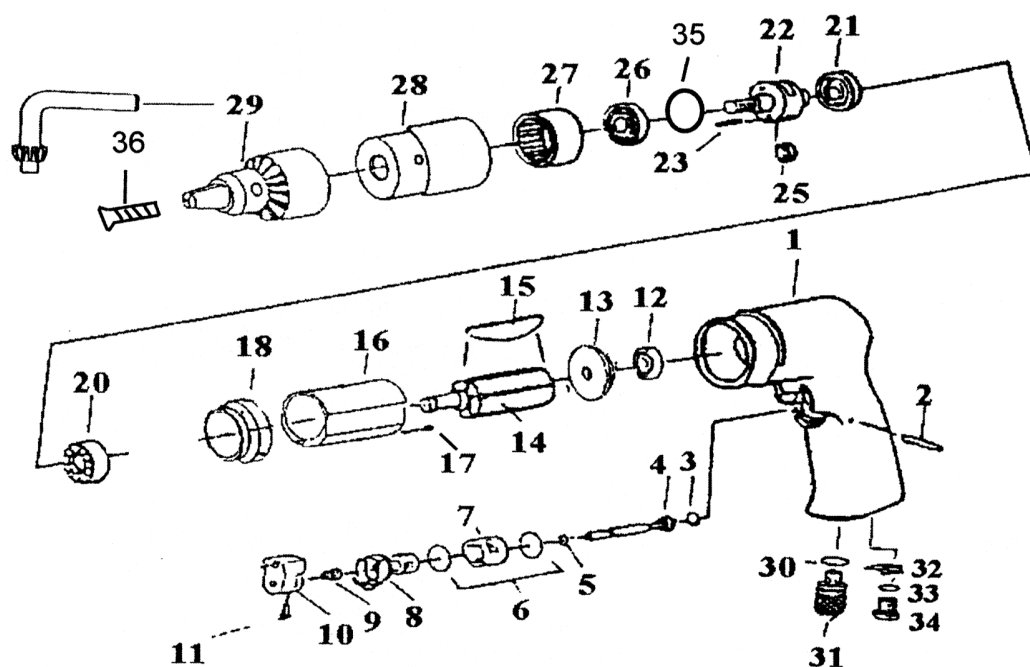


# T-7454 HPR

## 3/8" HEAVY DUTY REV. DRILL



**OILING INSTRUCTIONS:**  
**OIL AFTER EACH USE**  
**WITH A FEW DROPS OF**  
**AIRTOOL OIL THROUGH**  
**THE AIR INLET. RUN FOR**  
**1 SECOND TO COAT ALL**  
**INTERNAL PARTS.**



### USE 90 PSI MAXIMUM

REF #	PART #	DESCRIPTION	QTY	REF #	PART #	DESCRIPTION	QTY
1	7454HPR01	HOUSING	1	21	7454HPR21	BEARING	1
2	7454HPR02	PIN	1	22	7454HPR22	GEAR CAGE	1
3	7454HPR03	O-RING	1	23	7454HPR23	PIN	2
4	7454HPR04	VALVE STEM	1	25	7454HPR25	GEAR W/NEEDLE ROLLER	2
5	7454HPR05	O-RING	1	26	7454HPR26	BALL BEARING	1
6	7454HPR06	O-RING	2	27	7454HPR27	INTERNAL GEAR	1
7	7454HPR07	VALVE SLEEVE	1	28	7454HPR28	GEAR HOUSING	1
8	7454HPR08	VALVE BUSHING	1	29	T-7788-C	3/8" DRILL CHUCK & KEY	1
9	7454HPR09	SPRING	1	30	7454HPR30	O-RING	1
10	7454HPR10	TRIGGER	1	31	7454HPR31	MUFFLER	1
11	7454HPR11	SET SCREW	1	32	7454HPR32	MUFFLER RETAINER	1
12	7454HPR12	BEARING	1	33	7454HPR33	O-RING	1
13	7454HPR13	REAR END PLATE	1	34	7454HPR34	AIR INLET	1
14	7454HPR14	ROTOR	1	35	7454HPR35	SPACER	1
15	7454HPR15	ROTOR BLADES (SET OF 5)	1set	36	7788HR01N3	CHUCK SCREW	1
16	7454HPR16	CYLINDER	1				
17	7454HPR17	PIN	1				
18	7454HPR18	FRONT END PLATE	1				
20	7454HPR20	BEARING	1				

505 N. Railroad Ave. 33435  
P.O. Box 1117 33425  
Boynton Beach, FL

SEE MORE OF OUR CATALOG AT  
[www.taylorpneumatic.com](http://www.taylorpneumatic.com)  
OCTOBER 2020 / ALL RIGHTS RESERVED / COPYRIGHT 2020

Ph. (561)732-1111  
Fax. (561)731-4412  
Toll Free (800) 805-8665